

PRODUCT DESCRIPTION

Canopy fixtures are popular die-cast aluminum housings ideal for ceiling, pendant or conduit mounting configurations. These fixtures are retrofitted with high-output LED light engines designed, engineered and assembled in USA, and offered in a wide range of wattage as well as lumen output. Suitable for: convenience stores, gas stations, building exteriors and a variety of other indoor and outdoor lighting applications.

FEATURES

- Energy efficient LED light engine offers high lumen output as well as high efficacy
- IP65 Rated
- Replaces HID lighting systems up to 120W
- Multiple color temperatures available
- 5 Year Warranty

PERFORMANCE RATINGS AND CERTIFICATIONS

Conforms to UL 1598, UL SUB 1598C, Certified to CSA C22.2 No. 250.0 and CSA C22.2#250.13

ELECTRICAL RATINGS AND OPERATING CONDITIONS

Voltage: 120 - 277VAC, 50/60 Hz.; 480VAC (optional)

Dimming: 0-10V dimming

Power Factor: >0.9

Total Harmonic Distortion: < 20%

Operating Environment: -40°C to 50°C

WARRANTY

5 Year Standard Warranty Limited



CP-SS
CANOPY
SQUARE
(SHALLOW)



CP-SD
CANOPY
SQUARE
(DEEP)



CP-RG
CANOPY
ROUND
(GARAGE LIGHT)

HOUSING SPECIFICATIONS

Material / Finish : Die-cast aluminum housing with ½" Coin Plugs with O-rings for Conduit & Photocell on Two Sides & Back , clear prismatic polycarbonate lens, available in Bronze powder coat finish over chromate conversion coating.

Mounting options available: Mount Directly Over a 4" Recessed Outlet Box, or Use ½" Surface Conduit or Quick Mount Bracket

Dimensions (L x W x H): 12.38" x 12.38" x 6.00" (CP-SS); 12.38" x 12.38" x 8.63" (CP-SD); 15.00" Dia. x 11.25" H (CP-RG)

Weight: 9.40 lbs. (CP-SS), 13.00 lbs. (CP-SD), 15.80 lbs. (CP-RG)

PERFORMANCE SUMMARY

Size **Lumen Output (Wattage):**

CP-SS	}	4500 (35W), 8800 (69W),
CP-SD		
CP-RG		

Lumens per Watt: 128

CRI-Minimum: >70

CCT: 3000K ,4000K ,5000K

Watts: 35W, 69W


Optical Distribution: 120° Beam Angle available in Type 5 distribution pattern

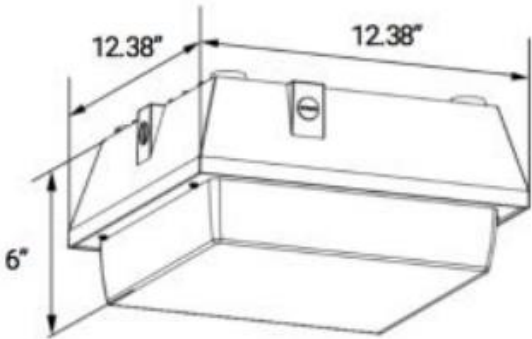


LED CANOPY LIGHT

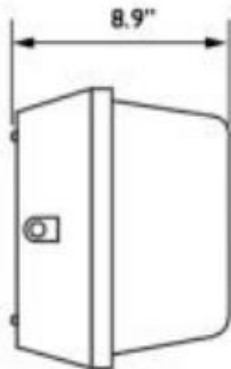
ORDERING MATRIX

Example: AM-CP-SD-H042-69W-50K-MT-010V-T5

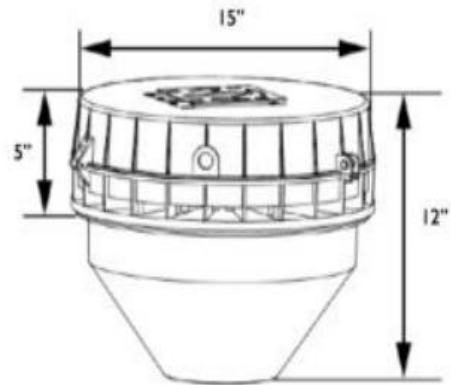
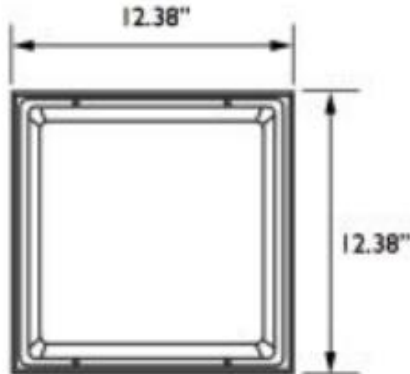
Family	Product	Wattage	Color Temp	Voltage	Options	Mounting	Optical Distribution
AM = Assembled in USA	CP-SS	H021 -35 W H042 -69 W	30K = 3000K 40K = 4000K 50K = 5000K CC-[specify CCT value in K] = Custom Color Temp (choose from 2700K-6500K)	MT = 120-277VAC HV= 277-480VAC	SRG1 = Surge Protection 120-277VAC SRG2 = Surge Protection 480VAC EM = Emergency Battery Backup 010V = 0-10V Dimming PC = 120-277VAC Photocell None (Leave blank or skip)	 <p>QMB = Quick Mount Bracket None (Leave blank)</p>	None (Leave blank)
	CP-SD						
	CP-RG						



CP-SS
CANOPY SQUARE (SHALLOW)

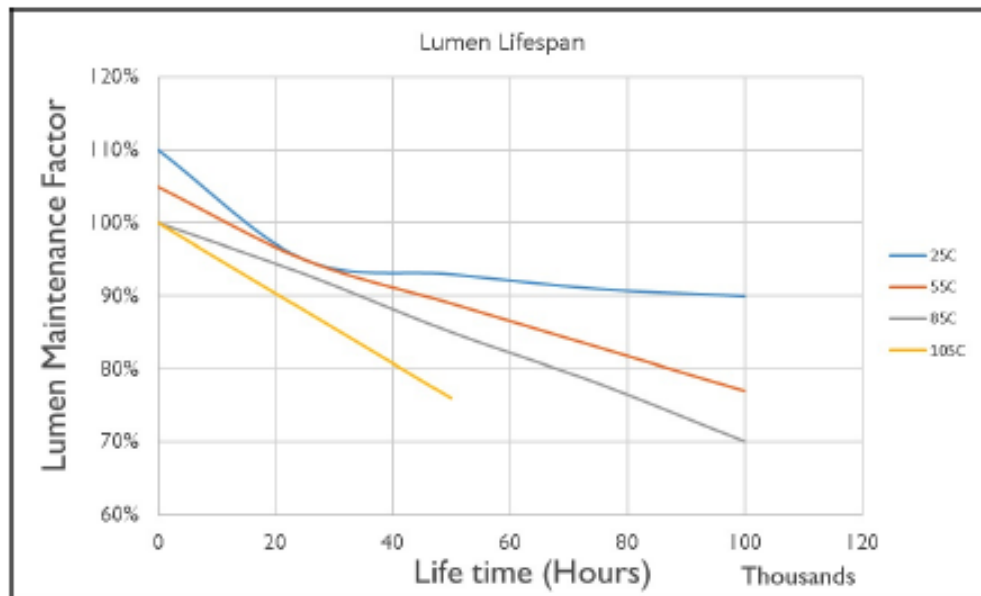


CP-SD
CANOPY SQUARE (DEEP)



CP-RG
CANOPY ROUND (GARAGE LIGHT)

Lumen Performance



Lumen Maintenance Factors (B Drive)

TJ (Junction Temp)	INITIAL LMF	25K HR PROJECTED LMF	50K HR PROJECTED LMF	75K HR PROJECTED LMF	100K HR PROJECTED LMF
25°C	1.10	0.95	0.93	0.91	0.90
55°C	1.05	0.95	0.89	0.83	0.77
85°C	1.00	0.93	0.85	0.78	0.70
105°C	1.00	0.88	0.76	N/A	N/A

Lumen Multiplier

AMBIENT TEMPERATURE	LUMEN MULTIPLIER
10°C	1.032
15°C	1.021
25°C	1.000
40°C	0.968
50°C	0.946

Each temperature has an independent initial value. In accordance with IESNA TM021011, Projected Values represent interpolated value based on time durations that are within six times (6X) the IESNA LM-80-08 total test duration (in hours) for the device under testing (DUT) i.e. the packaged LED chip). In accordance with IESNA TM-21-11, Calculated Values represent time durations that exceed six times (6X) the IESNA LM-80-08 total test duration (in hours) for the device under testing (DUT) i.e. the packaged LED chip)