

PRODUCT DESCRIPTION

UFO Highbays are ideal for illuminating warehouses and commercial facilities like manufacturing shops, car showrooms etc. These fixtures feature a die cast aluminum housing with an acrylic clear lens. These fixtures are retrofitted with high- output LED light engines designed, engineered and assembled in USA, available in a multiple color temperatures and accessories.

FEATURES

- Energy efficient LED light engine offers high lumen output as well as high efficacy
- Compact and optimized LED board for concentrated and powerful light distribution
- Three color temperatures available: 5000K, 4000K & 3000K. Custom color temperatures available upon request.
- IP65 Rated
- 5 Year Warranty

PERFORMANCE RATINGS AND CERTIFICATIONS

Retrofit conforms to UL 1598, UL SUB 1598C, Certified to CSA C22.2 No. 250.0 and CSA C22.2 No. 250.13

PERFORMANCE SUMMARY

Lumens: 17800

Lumens per Watt: 128

CRI-Minimum: >70

CCT: 3000K ,4000K ,5000K

Watts: 150W

Operating Environment: -40°C to 50°C

Optical Distribution: 120° Beam Angle available in Type 5 distribution pattern

Specifications are subject to change at any time without notice. All values are typical unless otherwise noted. Lumen values may vary by +/- 10%. Color temperatures may vary according to ANSIC78.377 . For more information and product support, contact GenPro Advanced Technologies at 800.465.1286 or email info@GenProTech.com



FIXTURE / RETROFIT KIT INFO

Finish: Black powdercoat finish over a chromate conversion coating.

Mounting: Heavy-duty eye hook included for pendant mounting

Dimensions (Dia. x H):
13.75" x 6.00"



ELECTRICAL SYSTEM CHARACTERIZATIONS

Voltage: 120 - 277VAC, 50/60 Hz;
480VAC (optional)

Dimming: 0-10V dimming (Optional)

Power Factor: > 0.98

Total Harmonic Distortion: < 20%

WARRANTY

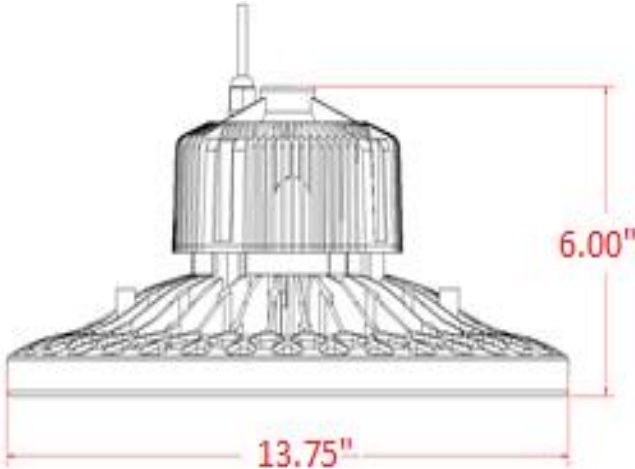
5 Year Standard Warranty Limited

LED UFO HIGHBAY

ORDERING MATRIX

Example: AM-UFO-H084-139W-50K-MT

Family	Product	Wattage	Color Temp	Voltage	Options	Mounting	Optical Distribution
AM = Assembled in USA	UFO	H084-139W	30K = 3000K 40K = 4000K 50K = 5000K CC-[specify CCT value in K] = Custom Color Temp (choose from 2700K-6500K)	MT = 120-277VAC HV= 277-480VAC	010V = 0-10V Dimming None (Leave Blank)	Standard Eye hook for Pendant Mounting (included) YM = Yoke Mount	T5 distribution (Standard) ALR = Aluminum Reflector ACR = Acrylic Reflector



ALR = Aluminum Reflector



YM = Yoke Mount