

PRODUCT DESCRIPTION

The Vapor Tight Jelly Jar is a heavy-duty LED lighting solution for extreme environments. This LED lighting fixture features a strong die-cast aluminum housing with a clear tempered glass lens.

Applications: Hazardous Environments, Warehouses, Walkways and a variety of other indoor and outdoor lighting applications.

FEATURES AND RATINGS

- Energy efficient LED light engine offers high lumen output as well as high efficacy
- Compact and optimized LED board for concentrated and powerful light distribution
- Luminaires [UL 1598: 2008 Ed.3 +R: 17Oct2012]
- Luminaires (R2013) [CSA C22.2#250.0: 2008 Ed.3 +G1;G2]
- Standard For Luminaires For Use In Hazardous (Classified) Locations [UL 844: 2012 Ed.13 +R: 11Mar2016]
- Electric Luminaires For Use In Hazardous Locations (R 2014) [CSA C22.2#137:1981 Ed.1 +G1] •Class I Division 2 Groups A-D
Class II Division 2 Groups F, G
- Class I Zone 2 Groups IIC - IIA
Class II Zone 22 Group IIIB
- Temperature Class: T4 (135°C (275°F) Max Temperature

PERFORMANCE SUMMARY

Lumens: 4200

Lumens per Watt: 105

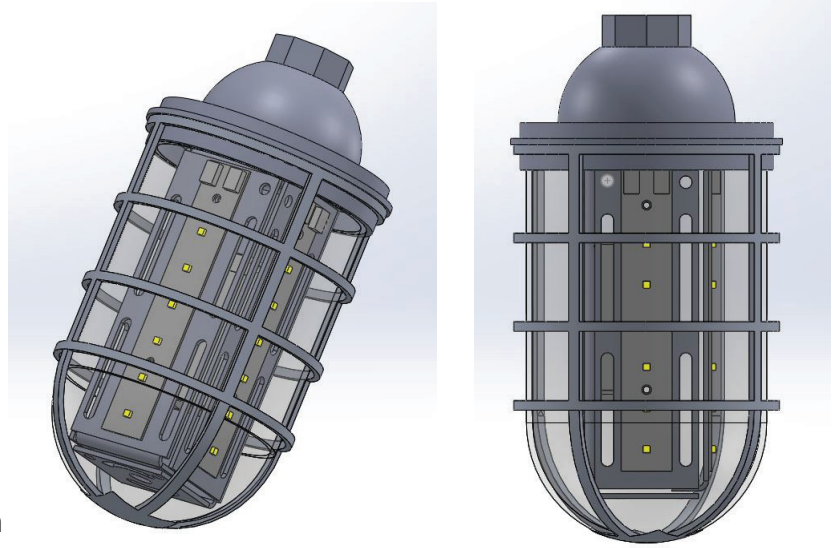
CRI-Minimum: >70

CCT: 3000K ,4000K ,5000K

Watts: 40W

Operating Environment: -40°C to 50°C

Optical Distribution: 120° Beam Angle



KIT INFORMATION

Finish: Natural shot blasted Aluminum Gray

Mounting: Ceiling Mount, Pendant Mount or Wall Mount

Dimensions: 5-3/8" Dia. x 12.00" H

ELECTRICAL SYSTEM CHARACTERIZATIONS

Voltage: 120 - 277VAC

Dimming: 0-10V Dimming

Power Factor: >0.9

Total Harmonic Distortion: < 20%

WARRANTY

5 Year Standard Warranty Limited

Specifications are subject to change at any time without notice. All values are typical unless otherwise noted. Lumen values may vary by +/- 10%. Color temperatures may vary according to ANSIC78.377 . For more information and product support, contact GenPro Advanced Technologies at 800.465.1286 or email info@GenProTech.com

Copyright GenPro Advanced Technologies

www.GenProTech.com

ORDERING MATRIX

Example: AM-JJ1-L024-40W-50K-MT-PM

Product	Board Type	Watts	Color Temp	Voltage	Mounting
AM-JJ1	L024	40W	30K = 3000K 40K = 4000K 50K = 5000K	MT = 120-277VAC	CM= Ceiling Mount PM = Pendant Mount WM = Wall Mount

