

### PRODUCT DESCRIPTION

The LED Canopy 1 (CP1V1) is a commercial surface mounted LED light ideal for illuminating gas stations, airport terminals, parking structures etc. These fixtures feature a sleek aluminum body with a prismatic polycarbonate lens. These fixtures are IP65 rated, suitable for Wet locations.

### FEATURES

- Long life, low maintenance, and high efficiency
- Easy to install
- IP65 Rated
- 5 Year Warranty

### PERFORMANCE RATINGS AND CERTIFICATIONS

UL, cUL, DLC

### PERFORMANCE SUMMARY

- Lumens:** 5300, 7300, 9900, 13300
- Lumens per Watt:** 130
- CRI-Minimum:** >80
- CCT:** Cool White (5700K)
- Watts:** 40W, 55W, 75W, 100W
- Operating Environment:** -20°C to 45°C
- Optical Distribution:** 160° Beam Angle



### KIT INFORMATION

- Finish:** White
- Mounting:** Surface mounting
- Dimensions:** 10.00" x 10.00" x 4.90"

### ELECTRICAL SYSTEM CHARACTERIZATIONS

- Voltage:** 120 - 277VAC, 50/60 Hz
- Dimming:**
- Power Factor:**  $\geq 0.9$
- Total Harmonic Distortion:**  $\leq 20\%$

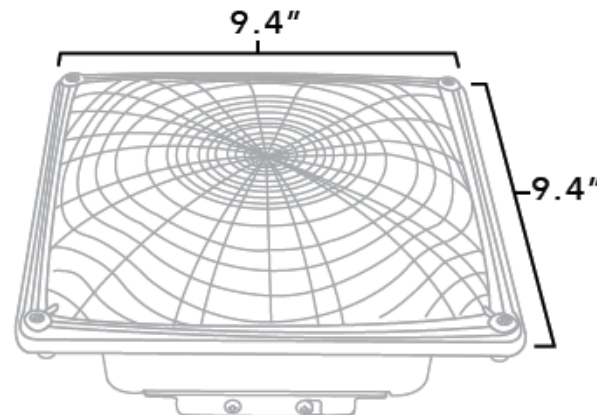
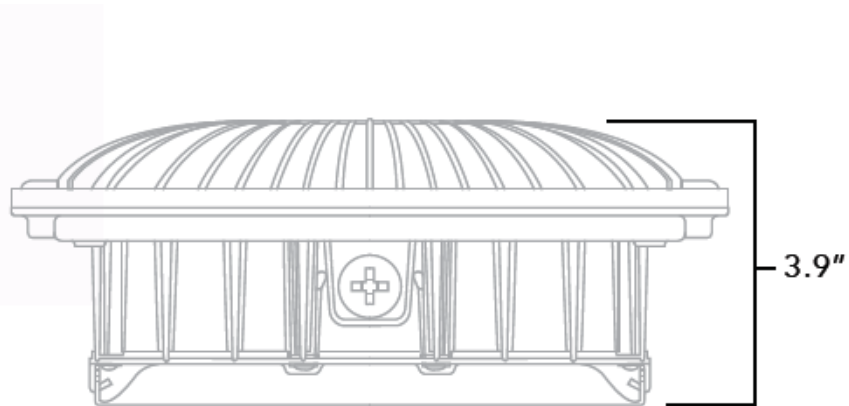
### WARRANTY

5 Year Standard Warranty Limited

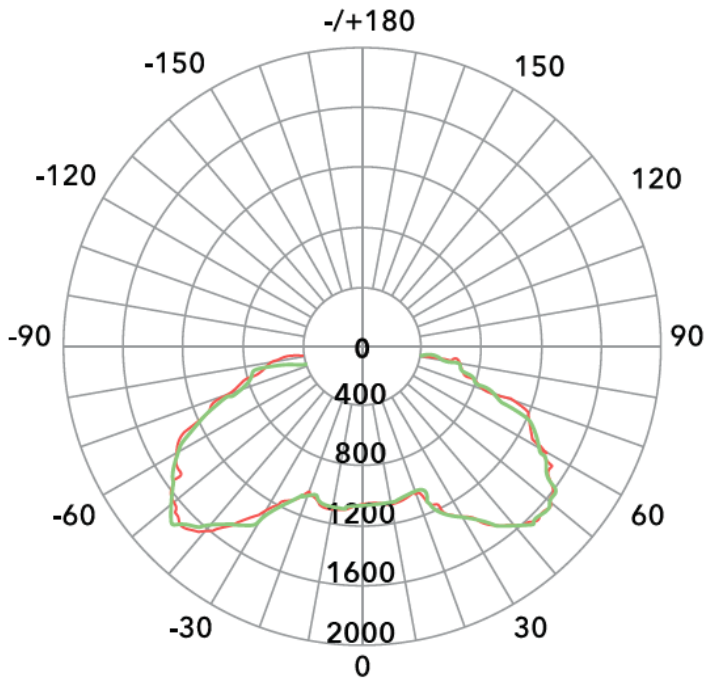
## ORDERING MATRIX

**Example:** ST-CP1V1-55W-CW-MT

Family	Product	Watts	Color Temp	Voltage
ST	CP1V1 = LED Canopy 1	40W 55W 75W 100W	CW = Cool White (5700K)	MT = 120-277VAC 50/60 Hz

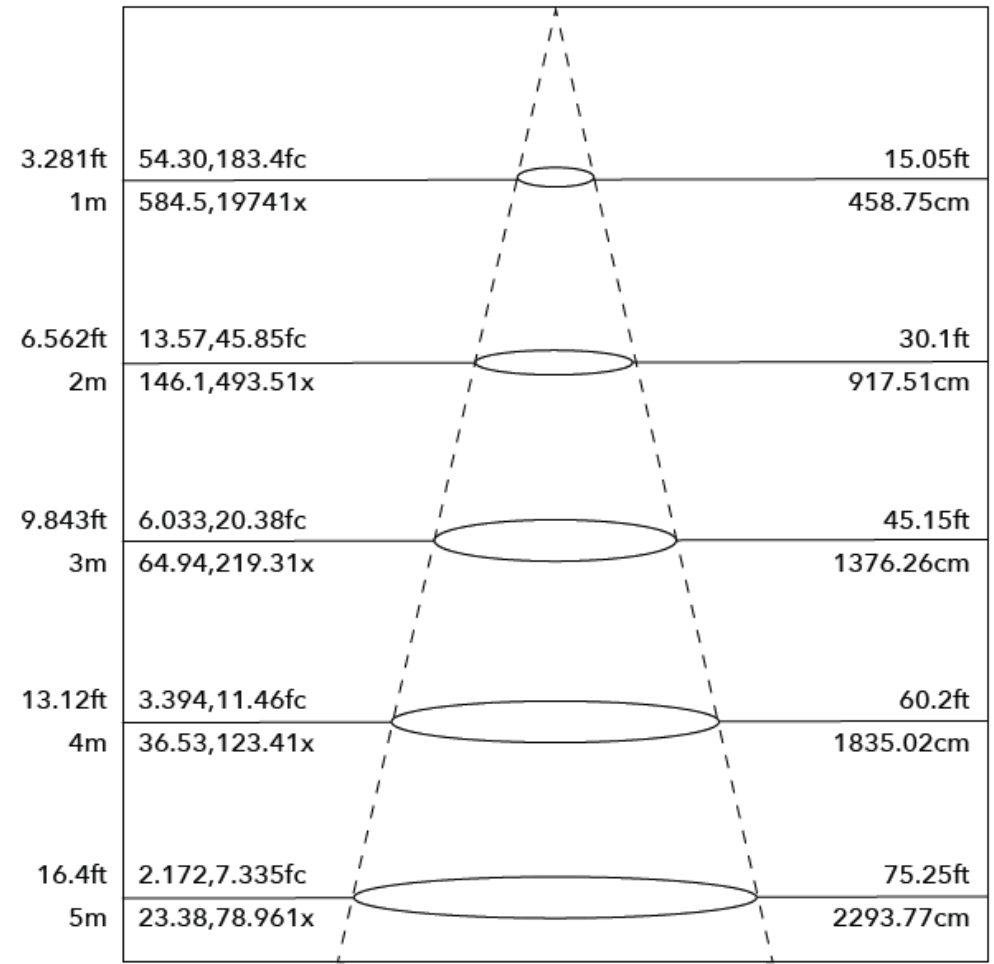


Average Beam Angle (50%):158.3 DEG



Unit:cd  
 — C0/180, 79.0, 79.6  
 — C90/270, 78.7, 79.4

Flux out: 10191lm



Height                      Eavg,Emax                      Angle: 132.89deg                      Diameter

Note: The Curves indicate the illuminated area and the average illumination when the luminaire is at different distance.