

PRODUCT DESCRIPTION

The LED Arealight (ALV1) is a commercial LED Shoebox/Street Light designed to offer 130 Lumens per Watt, and is suitable for Wet locations. This light is an ideal solution for illuminating Streets, Parking Lots, Outdoor Courts & Fields, Plazas and a variety of other outdoor architectural applications.

FEATURES

- Bright CREE 3030 LEDs offer luminous efficiency of up to 130lm/W
- Multiple mounting options
- IP65 Rated
- 5 Year Warranty

PERFORMANCE RATINGS AND CERTIFICATIONS

ETL, DLC, FCC, CE, RoHS, LM79, LM80, IES

PERFORMANCE SUMMARY

Lumens: 13000, 19500, 26000, 31200, 39000

Lumens per Watt: 130

CRI-Minimum: >80

CCT: Cool White (5000K), Natural White (4000K), Warm White (3000K)

Watts: 100W, 150W, 200W, 240W, 300W

Operating Environment: -35°C to 55°C

Optical Distribution: Type 3, Type 4, Type 5



Round / Square Pole Adapter



Angle - Adjustable Wall Mount



Slip Fitter Mount



Trunnion Mount



KIT INFORMATION

Finish: Grey Powdercoat

Mounting: Trunnion Mount, Slip Fitter, Square Pole Arm, Round Pole Arm

Dimensions: 100W, 150W: 19.45" x 12.21" x 3.31"
200W, 240W, 300W: 27.37" x 12.60" x 3.31"

ELECTRICAL SYSTEM CHARACTERIZATIONS

Voltage: 120 - 277VAC, 50/60 Hz

Dimming: 0-10V dimming (optional)

Power Factor: >0.9

Total Harmonic Distortion: ≤20%

WARRANTY

5 Year Standard Warranty Limited

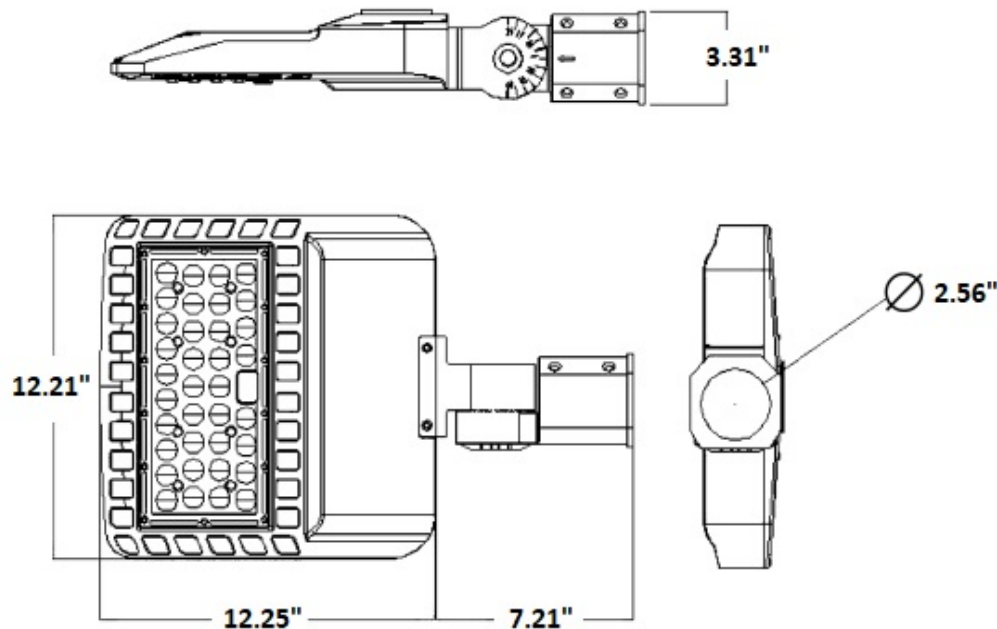
ORDERING MATRIX

Example: ST-ALV1-150W-NW-MT-SF-T3

Family	Product	Watts	Color Temp	Voltage	Options	Mounting	Optical Distribution
ST	ALV1 = LED Arealight	100W 150W 200W 240W 300W	CW = Cool White (5000K) NW = Natural White (4000K) WW = Warm White (3000K)	MT = 120-277VAC 50/60 Hz	DM = Dimming PC = Photocell	TM = Trunnion Mount SF = Slip Fitter Mount RPA / SPA = Round / Square Pole Adapter AWM = Adjustable Wall Mount	T5 = Type 5 T4 = Type 4 T3 = Type 3

PRODUCT DIMENSIONS

100W, 150W:



200W, 240W, 300W:

